

WANTAI Hybrid-Schrittmotor 42BYGHW

Allgemeine Spezifikationen

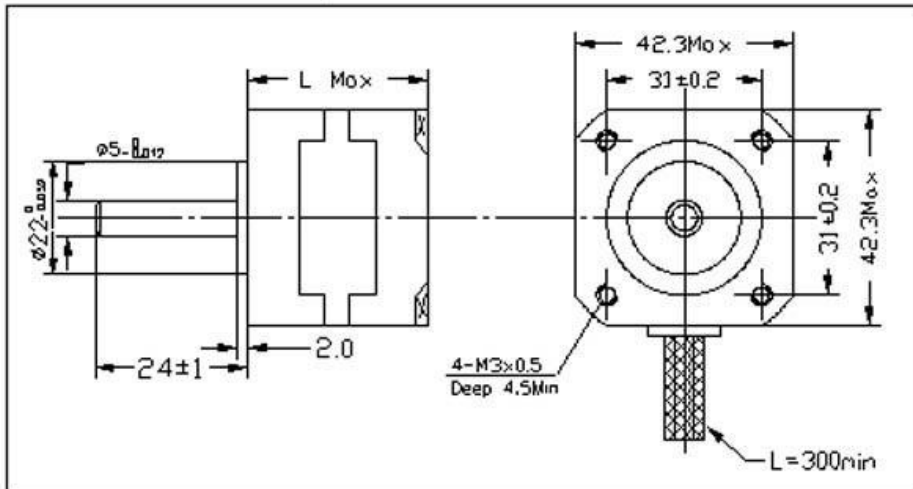
Schrittwinkelgenauigkeit	-----	+5%
Temperatur steigen	-----	80°C Max
Betrieb Temperatur	-----	-20°~+50°
Isolierung Widerstand	-----	100MΩ Min 500VDC
Dielektrikum Stärke	-----	500VAC 1 Minute



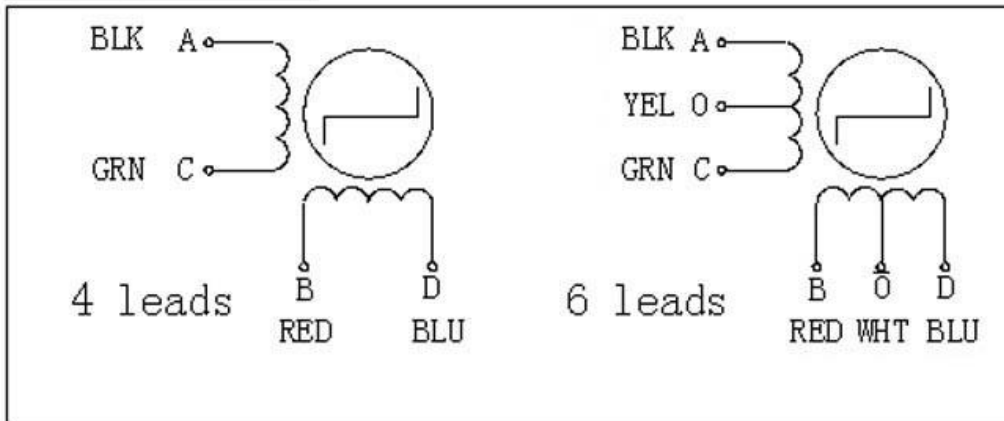
Elektronischen Spezifikation

Model	Step angle (jā)	Motor Length L(mm)	Rate Voltage (V)	Rate Current (A)	Phase Resistance (Ω)	Phase Inductance (mH)	Holding Torque (g.cm)	Lead Wire (NO.)	Rotor Inertia (g. c©O)	Detent Torque (g.cm)	Motor Weight (kg)
42BYGH W205	1.8	34	12	0.3	40	18	1200	6	34	200	0.2
42BYGH W208	1.8	34	12	0.4	30	37	2800	4	34	200	0.2
42BYGH W213	1.8	34	12	0.6	20	15	2000	5	34	200	0.2
42BYGH W602	1.8	40	12	0.4	30	21	2500	6	54	220	0.24
42BYGH W607	1.8	40	3.6	1.2	3	3.2	2600	6	54	220	0.24
42BYGH W609	1.8	40	3.4	1.7	2	3	4000	4	54	220	0.24
42BYGH W801	1.8	48	12	0.4	30	25	3200	6	68	280	0.34
42BYGH W804	1.8	48	3.6	1.2	3	5	4500	4	68	280	0.34
42BYGH W811	1.8	48	3.1	2.5	1.25	1.8	4800	4	68	280	0.34

Mechanical Dimensions



Wiring Diagram



Pulse-torque Characteristics

